

*ZED Link Duo Capture Card

GMSL2

Deserializer board

Compatible with NVIDIA Jetson AGX Orin™,
Orin™ NX and NANO Developer Kit

Compatible with NVIDIA Jetson AGX Xavier™,
Xavier™ NX and NANO Developer Kit

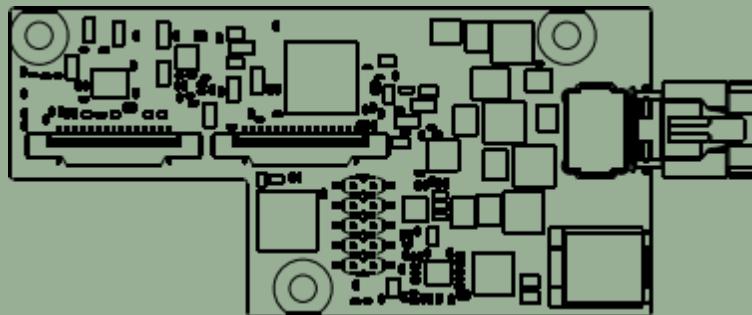
Supports up to 2 ZED X/ ZED-X Mini cameras
and 2 mono cameras

Supports external 14V-19V DC power supply

Deserializer: Maxim MAX96712

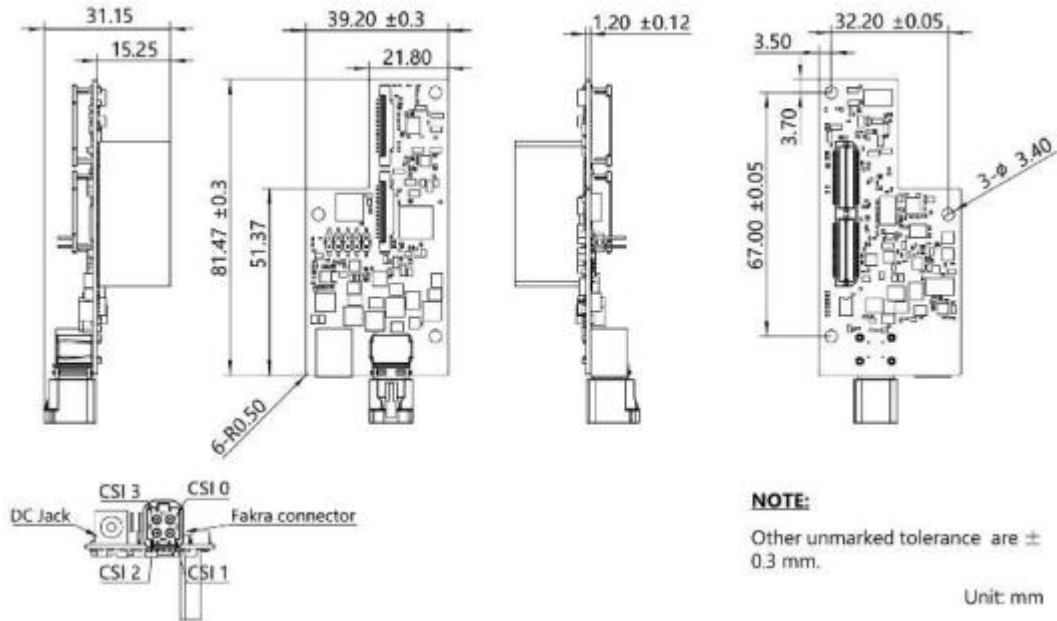
Operating temperature: -20°C ~ +85°C

Weight: ~ 30 g

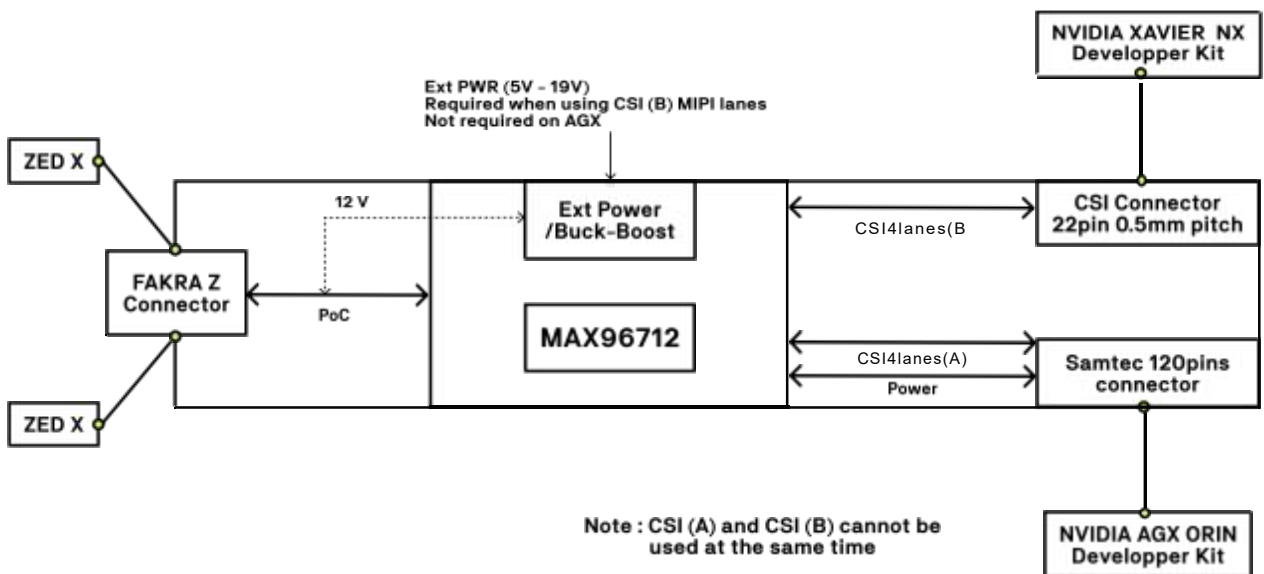


*ZED Link Duo Capture Card Technical Specifications

Dimensions



Functional diagram

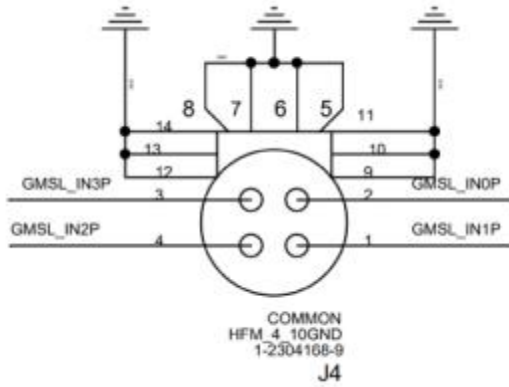


*ZED Link Duo Capture Card Interfaces

Interface J4 (Fakra)

partnumber1-2304169-Q

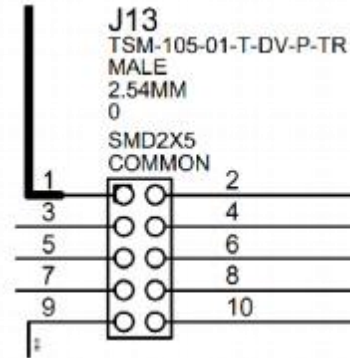
4pins



Interface J13 (GPIOHeader)

Part number TSM-105-01-T-DV-P-TR

10 pins



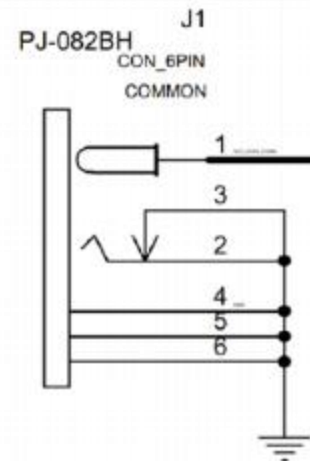
Interface J1(External19v)

Part number J-082BH

DCJack

Inner diameter : 2.5mm

Outer diameter : 6.5mm



*ZED Link Duo Capture Card Interfaces

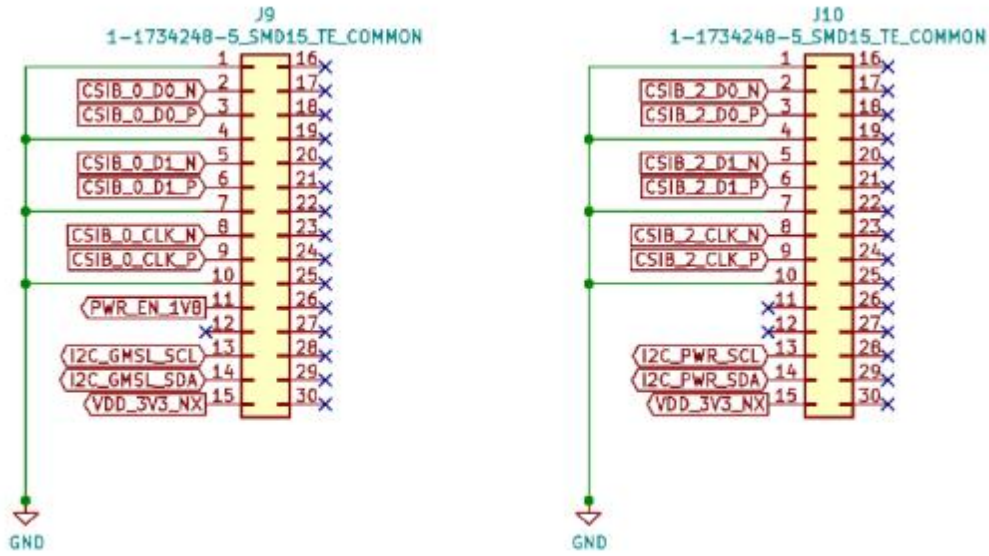
Interface J9 and J10 (MIPI CSI 15 pins)

Part number 1-1734248-5

2x15 pins

can be connected to Jetson or in™ and xavier™ Nx and Nano Developer kits using Arducam 15 to 22 MIPI Cables

cannot be used simultaneously with the same 120 pins connector J501mm



*ZED Link Duo Capture Card Interfaces

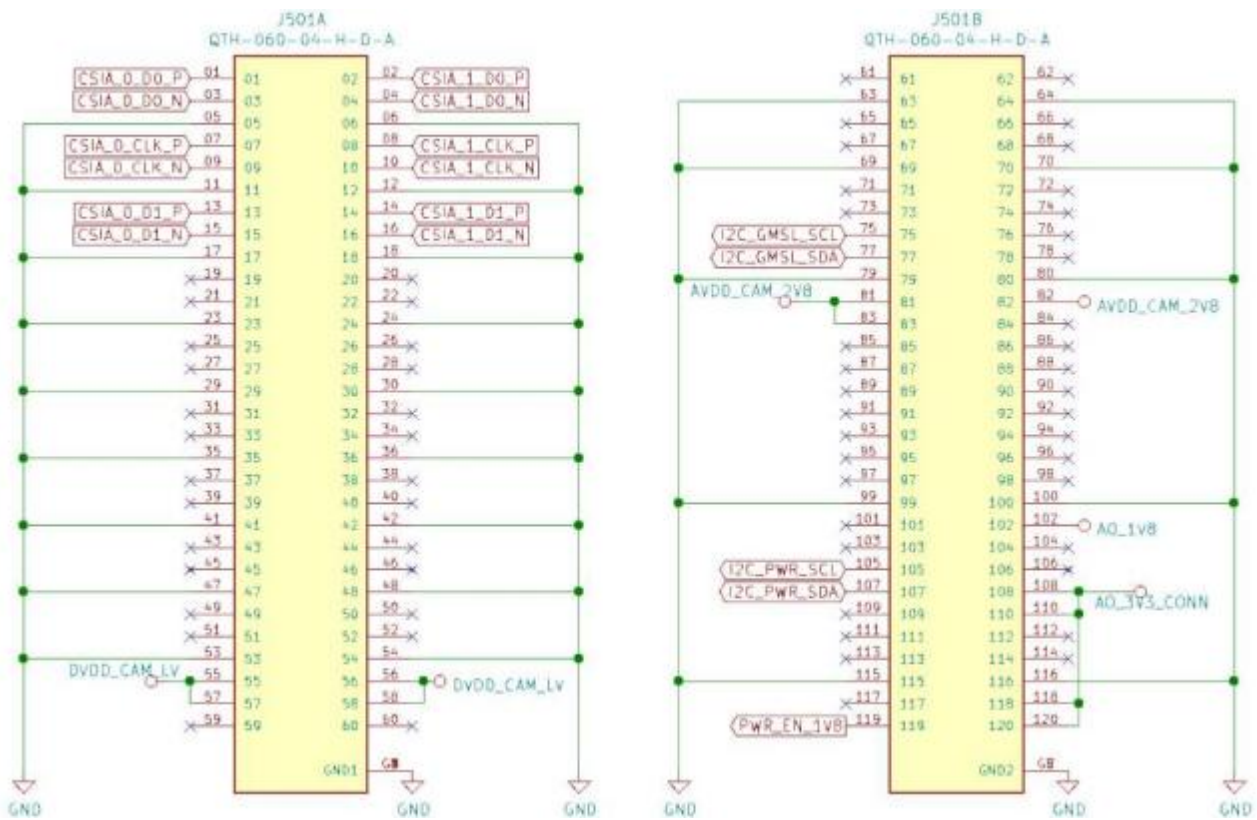
Interface J501 (samtecoAGX)

partnumber QTH-060-04-H-D-A-TR

120 pins

can be used with or in AGX and xavier AGX Developer kits

16mm board to board distance



Interface J501 (samtec to AGX)

| Revision | Description | Releasedate |
|----------|---------------|-------------|
| 1.0 | First release | 03/21/2023 |